



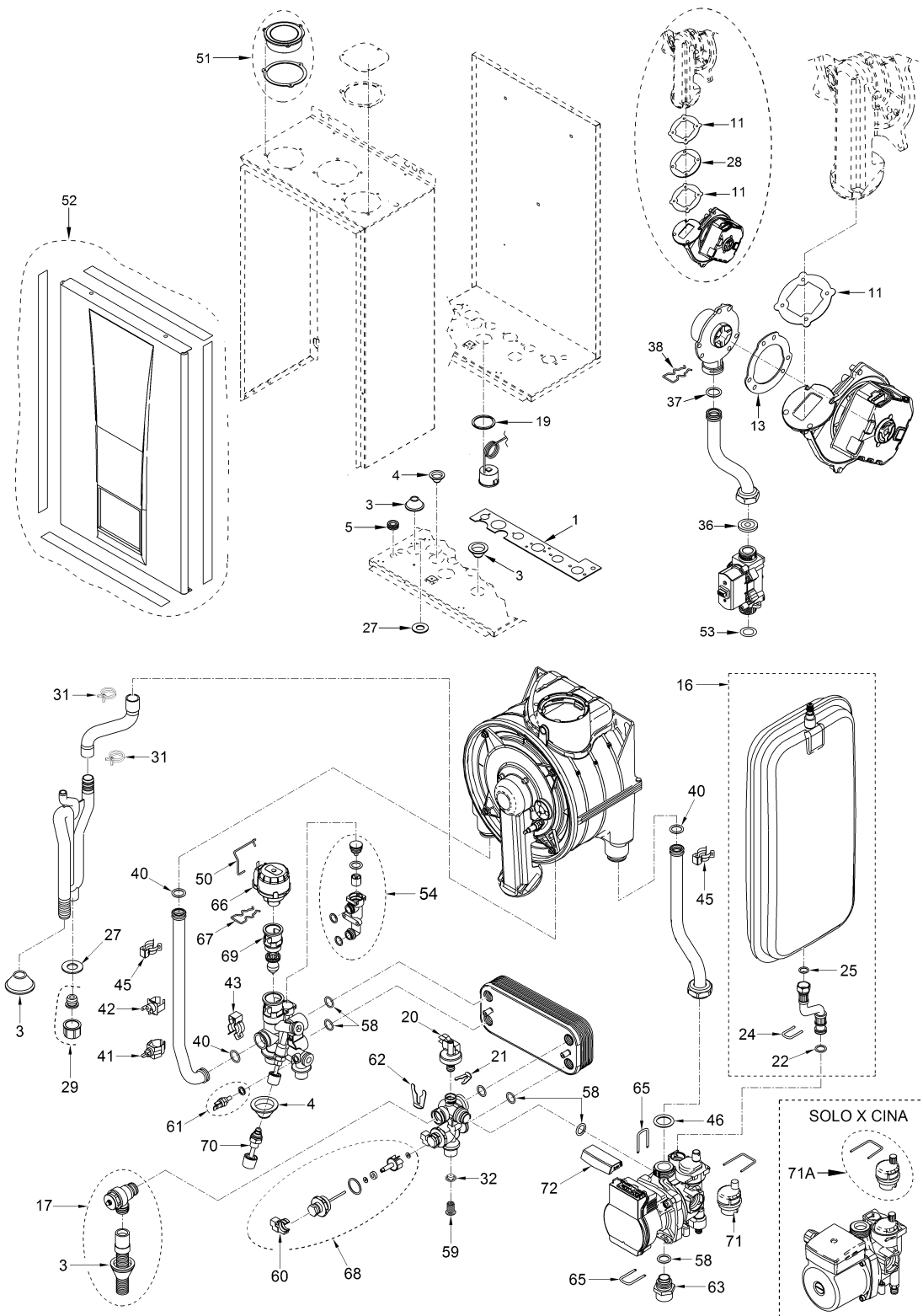
Fonderie Sime S.p.A. - Via Garbo, 27 - 37045 Legnago (VR) - www.sime.it
Tribunale Verona 13531 - R.E.A. VR 171357 - C.C.P. 19423375 - N° Mecc. VR 014435
Capitale Sociale Euro 5.521.200 int. versato - Codice Fiscale/Partita IVA n. IT 01275930236

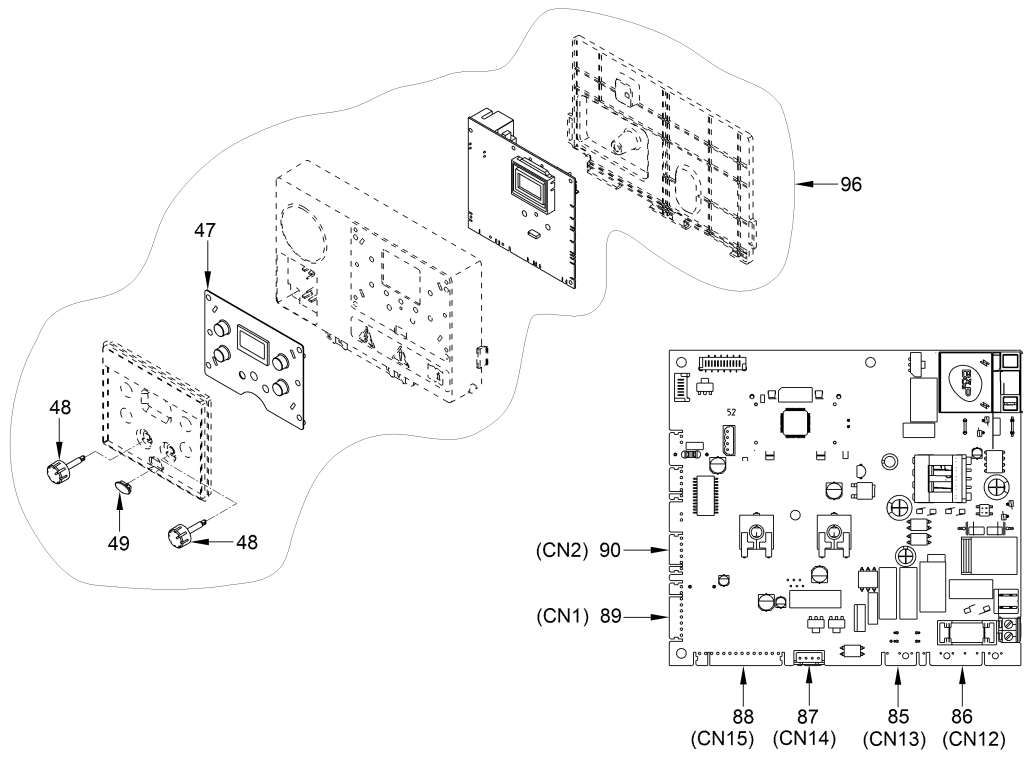
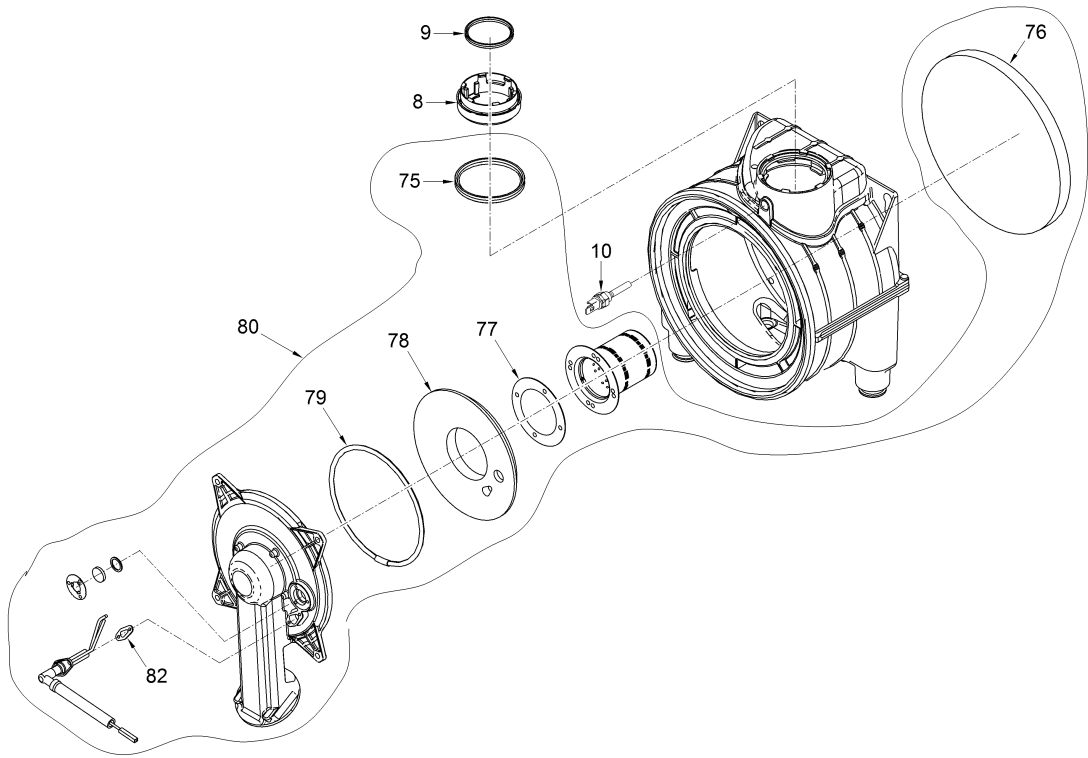
Comfort Ambiente - Via Garbo, 27 - 37045 Legnago (VR)

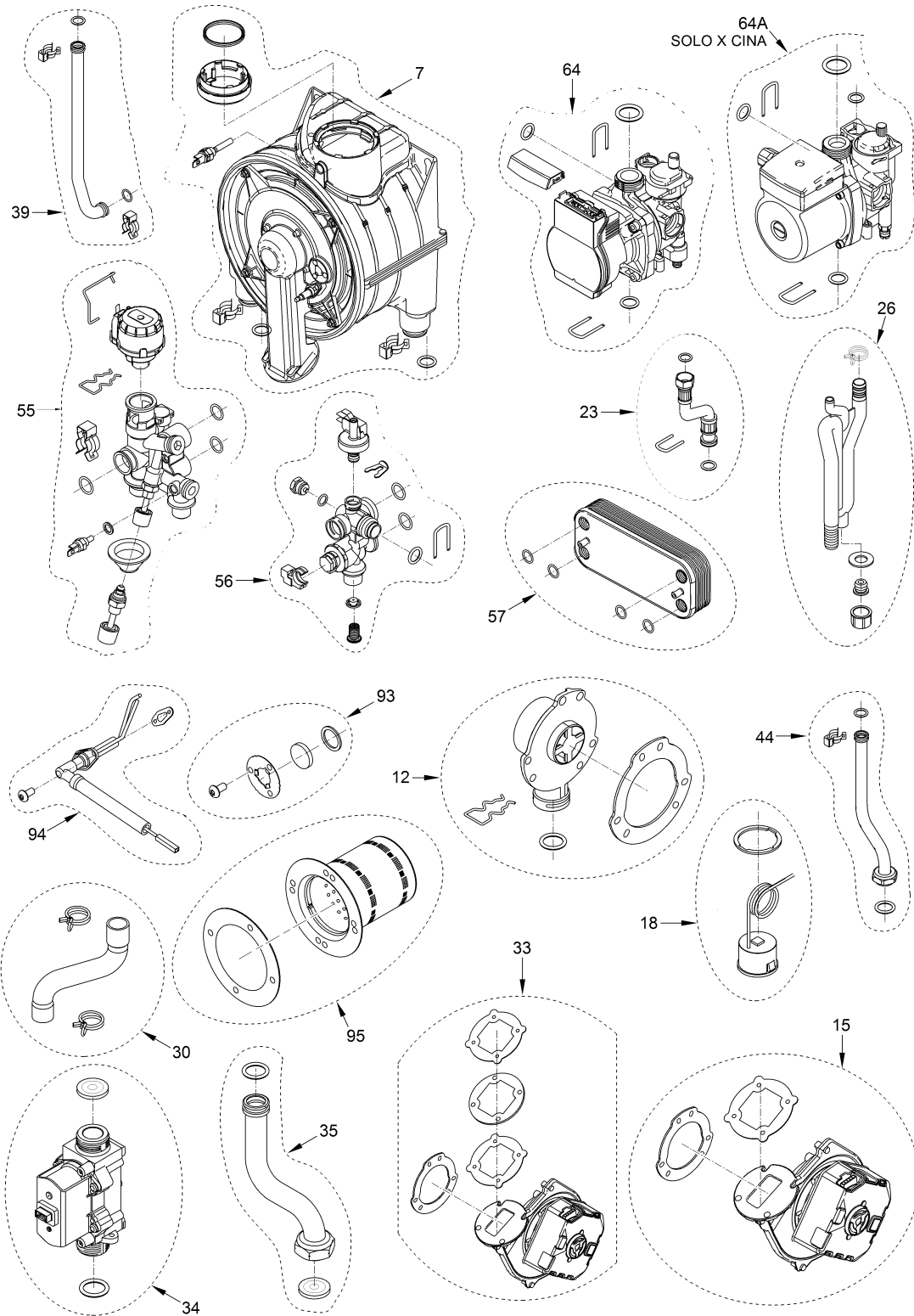
Tel +39 0442 631111 - Fax Servizio Commerciale: Italia +39 0442 631291 - Estero +39 0442 631293

Fax Servizio Tecnico +39 0442 631292 - Fax Ufficio Acquisti +39 0442 631292 - Fax Amministrazione +39 0442 631336

8116602 MIA HE 30







Position	Code	Description	Where used	Advised parts
001	6229885	Hydraulic group gasket		
002	6226750	Silicone pipe ring ø128		
003	6226753	Silicone pipe ring ø15X35		
004	6226710	Silicon conical diaphragm Ø 18		
005	6226719	Bushing		
007	6281678	Heat exchanger+or+spring		C
008	6296548	Reducer DN 80-60		
009	6248875	Gasket Ø 60		
010	6277130	Probe NTC D.4X40		A
011	6174816	Gasket for fan flange		
012	6281750	Group air/gas mixer		C
013	6028716	Gasket for fan/mixer		C
014	6105167	Spacer in aluminum		
015	6281682	Fan + gasket		A
016	6281673	Expans. vess.+flex+spring		C
017	6281658	Safety valve kit 3 bar + plasti		B

018	6281670	Hydrometer + gasket		C
019	6229881	Gasket		
020	6037512	Water pressure switch		B
021	6226639	Spring clip		
022	6226476	ORing diam.15x2		C
023	6281632	Flex.pipe MF3/8" L=200 + or		
024	6226643	Pipe fixing spring		
025	2030226	Gasket Ø 10,2x14,8x2		C
026	6281764	Water trap group		C
027	2030274	Piracriten gasket Ø 38x19x2,5		
028	6105167	Spacer in aluminum	FROM SN	
028A	6105167	Spacer in aluminum	TO SN	
029	5171635	Cap + gasket for water trap kit		
030	6281662	Flexible pipe L=210 + spring		C
031	2051150	Clamp diam. 25		
033	6281765	Fan + gasket	FROM SN	A
033A	6281765	Fan + gasket	TO SN	A
034	6281751	Gas valve+gaskets+instr.sheet		A
035	6281752	Pipe connecting gas valve-mixer		
036	6050469	Nozzle 530 met		
037	6226477	Rubber gasket OR Ø 17x3		C
038	6226636	D.H.W. elektrovalve fix.spring		
039	6281675	Flowing pipe C.H.system+or		
040	6226412	O-ring 3068		C
041	6231372	Temperature sensor		A
042	6146729	100°C safety stat		A
043	6226601	Spring for heat exchanger conne		
044	6281676	Return pipe C.H.system + or		
045	6226619	Spring for heat exchanger conne		
046	2030267	Piracriten gasket Ø 30x17x2		
047	6305130	Rubber button		
048	6290170	Knob Ø 20		
049	6305140	Rubber cap		
050	6226638	Divertor valve motor spring cli		
051	6281674	Group air intake		C
052	6281667	Front panel + insulators		A
053	2030249	Gasket Ø 24x17x3		
054	6319653	External by-pass kit		C
055	6281680	C.H.flow stepper manifold + or		C
056	6281640	C.H.ret.manif+or+wat.pres+filte		C
057	6319690	kit 12 plate heat exchanger + o		C
058	6226475	ORing diam.18,64x3,53		C
059	6222003	D.H.W. filter		C
060	6131440	Flowmeter sensor		A
061	6281519	Plunged sensor + gasket		A
062	6226645	Spring clip		
063	6120560	Pump nipple 3/4"		
064	6281681	Circulat. pump + gasket		B
065	6226644	Spring clip for rotating connec		
066	6087332	Motor for diverting valve		B
067	6226636	D.H.W. elektrovalve fix.spring		
068	6319651	Flowmeter + sensor group		A
069	6319654	Shutter group		C
070	6319639	Filling cock		C
071	6013182	Automatic air vent		C
072	6319647	Circulateur top cover		
075	6248876	Smoke outlet gasket ø80 mm		
076	6326951	Rear insulation + springs		
077	6326942	Gasket for burner flange		C
078	6326952	Front insulation		
079	6326953	Sealing		
080	6326980	Burner-door group		
082	6326950	Gasket for ignition electrode		C
085	6329482	Pump-fan CN13 connection		
086	6329477	6 pole cable connector CN12		
087	6323876	4 pole cable connector CN14		
088	6329473	Conn.CN15 s.est.-s.san.-p.acqua		
089	6325671	9 pole cable connector CN1		
090	6329474	Conn. CN2 ventilatore		
093	6281753	Peephole kit		
094	6281754	Ignit.-ionis.elect.+ ùasket kit		B
095	8076118	Burner + gasket kit		
096	6281683	Main P.C.B + keys + knobs		A
700	5202304	Complete control panel		
701	6316259	5 pole cable connector		B

A = Spare parts for minimum fittings
A+B = Spare parts for basic safety fittings
A+B+C = Spare parts for extended safety fittings